

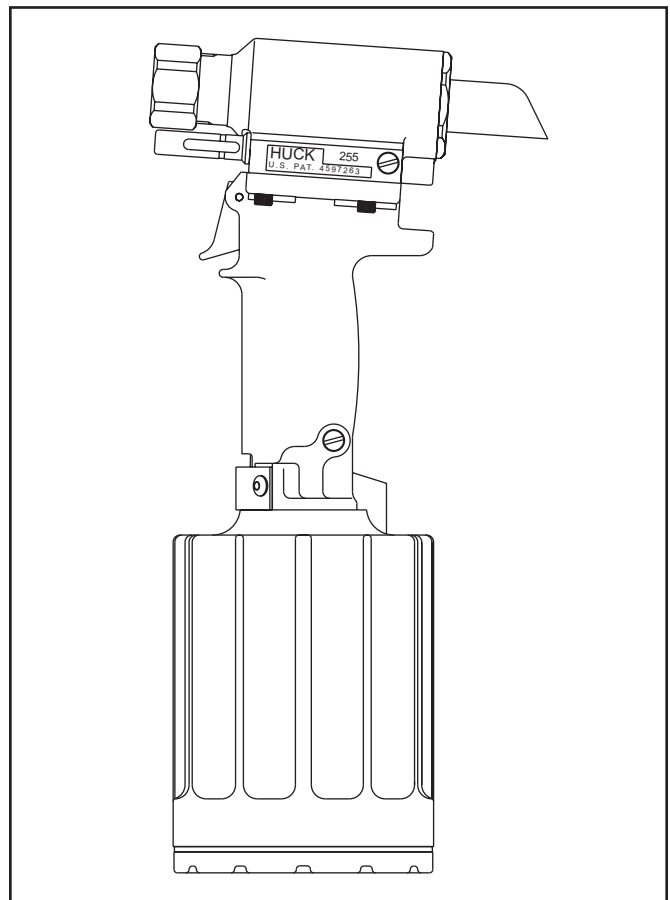
Alcoa
Fastening
Systems



INSTRUCTION MANUAL

255

PNEUDRAULIC INSTALLATION TOOL



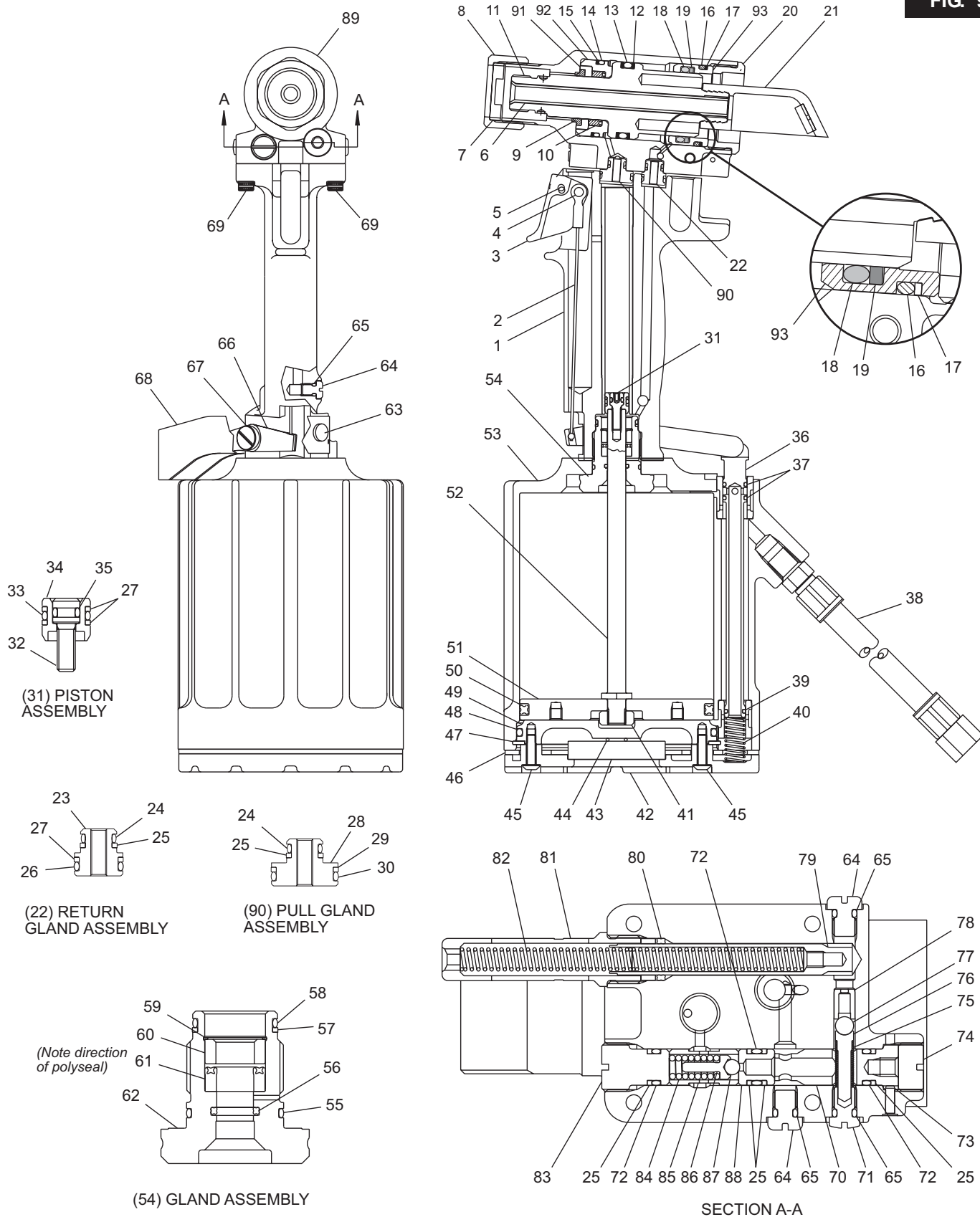
Makers of Huck®, Marson®, Recoil®
Brand Fasteners, Tools & Accessories

Form HK 1014
02-26-2004



ASSEMBLY DRAWING

FIG. 9



ITEM	PART#	DESCRIPTION	QTY	ITEM	PART#	DESCRIPTION	QTY
1	125641	Handle & Sleeve Assembly	1				
2	125643	Cable	1				
3	124333	Trigger	1				
4	505496	Trigger Pin	1	50	501460	Quad Ring	1
5	500621	Roll Pin	1	51	100315	Piston, Air	1
6	108279	Pintail Tube	1	52	112414	Piston Rod	1
7	110670	Stop	1	53	115556	Cylinder Assembly	1
8	117824	Retaining Nut	1	54	116173	Gland Assembly	1
9	505894	Wiper Seal	1	55	500786	O-ring	1
10	506160	Polyseal	1	56	501074	Quad Ring	1
11	126083	Piston, Pull	1	57	501090	Back-up Ring	1
12	113251	Back-up Ring	2	58	500784	O-ring	1
13	500851	O-ring	1	59	505939	Retaining Ring	1
14	500823	O-ring	1	60	123904	Spacer	1
15	126088	Back-up Ring	1	61	506611	Polyseal	1
16	505887	O-ring	1	62	123903	Gland	1
17	113253	Back-up Ring	1	63	500424	Screw	2
18	505791	O-ring	1	64	100309	Bleed Plug	3
19	113754	Back-up Ring	1	65	505438	O-ring	4
20	112491	End Cap	1	66	120005	Throttle Arm	1
21	124211	Pintail Deflector	1	67	116916	Screw	1
22	112502	Return Gland Assembly	1	68	125656	Guard	1
23	112427	Return Gland	1	69	500102	Screw, Cap	4
24	500776	O-ring	2	70	120204	Plug	1
25	501082	Back-up Ring	6	71	111068	Plug	1
26	500778	O-ring	1	72	505446	O-ring	3
27	501084	Back-up Ring	3	73	120203	Pin	1
28	112426	Gland	1	74	120129	Screw	1
29	501087	Back-up Ring	1	75	100874	Spring	1
30	500781	O-ring	1	76	111067	Guide	1
31	118865	Hydraulic Piston Assembly	1	77	502929	Ball	1
32	117773	Screw	1	78	111139	Seat	1
33	503768	O-ring	1	79	112405	Reservoir Plunger	1
34	117774	Piston, Hydraulic	1	80	501408	Quad Ring	1
35	500773	O-ring	1	81	112403	Housing/Spacer Assembly	1
36	115505	Throttle Valve	1	82	505864	Spring	2
37	504408	O-ring	2	83	114530	Plug	1
38	115436	Air Hose Assembly	1	84	505863	Spring	1
39	504407	O-ring	1	85	120127	Sleeve	1
40	116272	Spring	1	86	120128	Valve Guide	1
41	121241	Self-locking Nut	1	87	502506	Ball	1
42	116585	Muffler End Cap	1	88	114528	Seat	1
43	115554	Muffler	1	89	126079	Head Assembly	1
44	500777	O-ring	1	90	112501	Pull Gland Assembly	1
45	504127	Screw, Button Head	3	91	123138	Wiper Housing	1
46	125724-2	Gasket	1	92	126081	Front Gland	1
47	505025	Retaining Ring	1	93	126085	Rear Gland	1
48	500873	O-ring	1				
49	111959	Cylinder Head	1				



For the Long Haul™

A Global Organization

Alcoa Fastening Systems (AFS) maintains company offices throughout the United States and Canada, with subsidiary offices in many other countries. Authorized AFS distributors are also located in many of the world's

industrial and Aerospace centers, where they provide a ready source of AFS fasteners, installation tools, tool parts, and application assistance.

Alcoa Fastening Systems world-wide locations:

Americas

Alcoa Fastening Systems

Aerospace Products

Tucson Operations

3724 East Columbia
Tucson, AZ 85714
800-234-4825
520-747-9898
FAX: 520-748-2142

Alcoa Fastening Systems

Aerospace Products

Carson Operations

PO Box 5268
900 Watson Center Rd.
Carson, CA 90749
800-421-1459
310-830-8200
FAX: 310-830-1436

Alcoa Fastening Systems

Commercial Products

Waco Operations

PO Box 8117
8001 Imperial Drive
Waco, TX 76714-8117
800-388-4825
254-776-2000
FAX: 254-751-5259

Alcoa Fastening Systems

Commercial Products

Kingston Operations

1 Corporate Drive
Kingston, NY 12401
800-431-3091
845-331-7300
FAX: 845-334-7333
www.hucktools.com

Alcoa Fastening Systems

Commercial Products

Canada Operations

6150 Kennedy Road, Unit 10
Mississauga, Ontario L5T2J4
Canada
905-564-4825
FAX: 905-564-1963

Alcoa Fastening Systems

Commercial Products

Latin America Operations

Avenida Parque Lira. 79-402
Tacubaya Mexico, D.F.
C.P. 11850
FAX: 525-515-1776
TELEX: 1173530 LUKSME

Far East

Alcoa Fastening Systems

Commercial Products

Australia Operations

14 Viewtech Place
Rowville, Victoria
Australia 3178
03-764-5500
Toll Free: 008-335-030
FAX: 03-764-5510

Europe

Alcoa Fastening Systems

Commercial Products

United Kingdom Operations

Unit C, Stafford Park 7
Telford, Shropshire
England TF3 3BQ
01952-290011
FAX: 0952-290459

Alcoa Fastening Systems

Aerospace Products

France Operations

Clos D'Asseville
BP4
95450 Us Par Vigny
France
33-1-30-27-9500
FAX: 33-1-34-66-0600



For The Long Haul, The Future of Fastening Technology, The Future of Assembly Technology, The Future of Tooling Technology, and Tools of Productivity are service marks of Huck International. Huck provides technical assistance regarding the use and application of Huck fasteners and tooling.

NOTICE: The information contained in this publication is only for general guidance with regard to properties of the products shown

and/or the means for selecting such products, and is not intended to create any warranty, express, implied, or statutory; all warranties are contained only in Huck's written quotations, acknowledgements, and/or purchase orders. It is recommended that the user secure specific, up-to-date data and information regarding each application and/or use of such products.

HWB898 1003-5M

Alcoa Fastening Systems



One Great ConnectionSM